

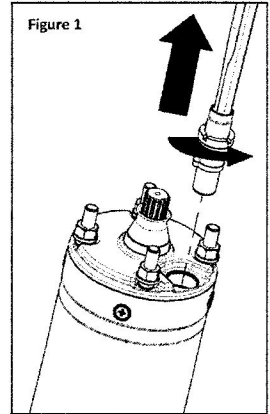


DISASSEMBLY MANUAL

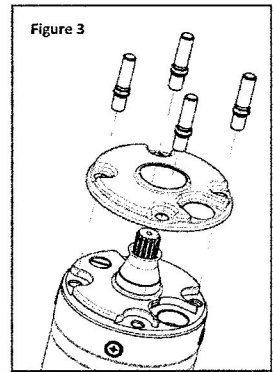
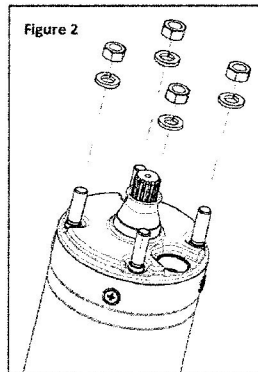
MODEL : 40M

**Italian Manufacturer of submersible motors
ordered by
GSO Fountain Company**

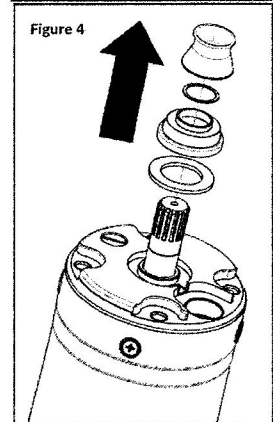
1. Remove lead connector by unscrewing the locking ring nut counterclockwise. (Figure 1).



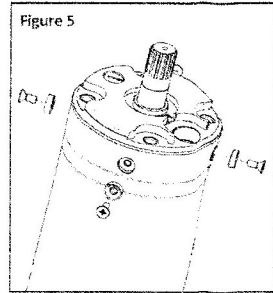
2. Unscrew the four screw nuts and unthread the four grower washer (Figure 2). Afterwards remove the four studs to release top end bell cover. (Figure 3).



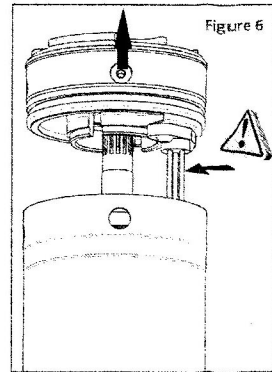
3. Remove progressively rotating sand guard, sand guard washer, fixed sand guard and anti-sand filter. (Figure 4).



4. Unscrew screws and take out their blocking sleeves inserts (Figure 5).

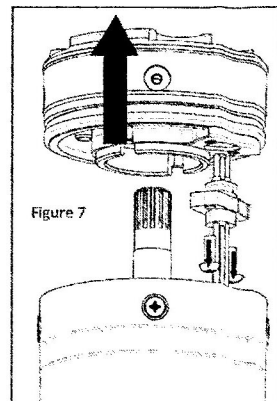


5. Remove top end bracket and pay attention not to tear away winding wires.
WARNING: motor is oil filled, pay attention to outflows (Figure 6).

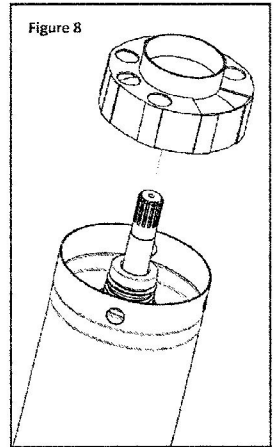


6. Empty oil contained in motor and store it in an appropriate box.

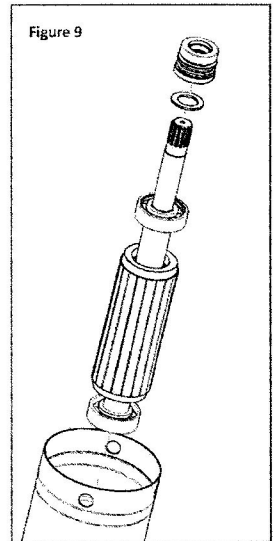
7. Take out screws to tear-off male plug from upper bracket (Figure 7).



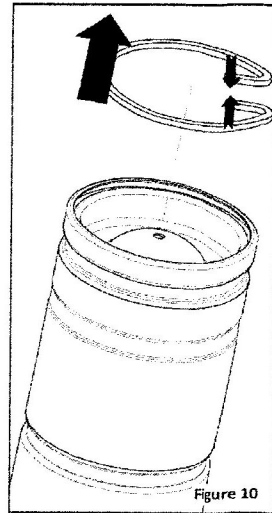
8. Remove insulation cap which protect copper winding. (Figure 8).



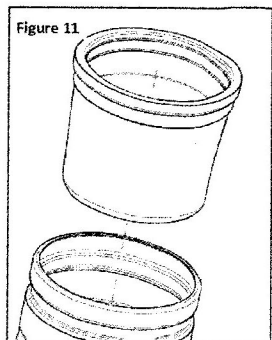
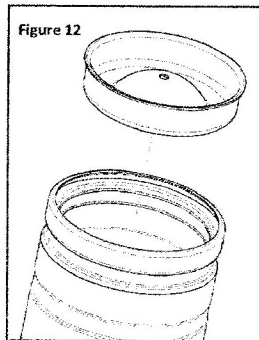
9. Remove mechanical seal and then take out washer and motor shaft (Figure 9).



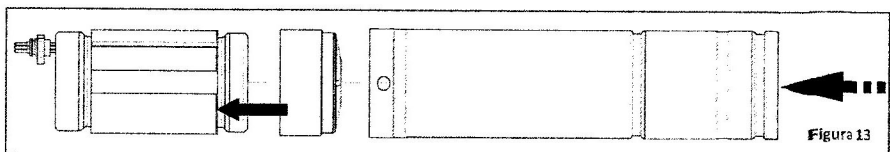
10. Now remove snap ring placed on motor bottom end (Figure 10).



11. Take out bottom end bell cover (Figure 11) and pressure compensation diaphragm (Figure 12).

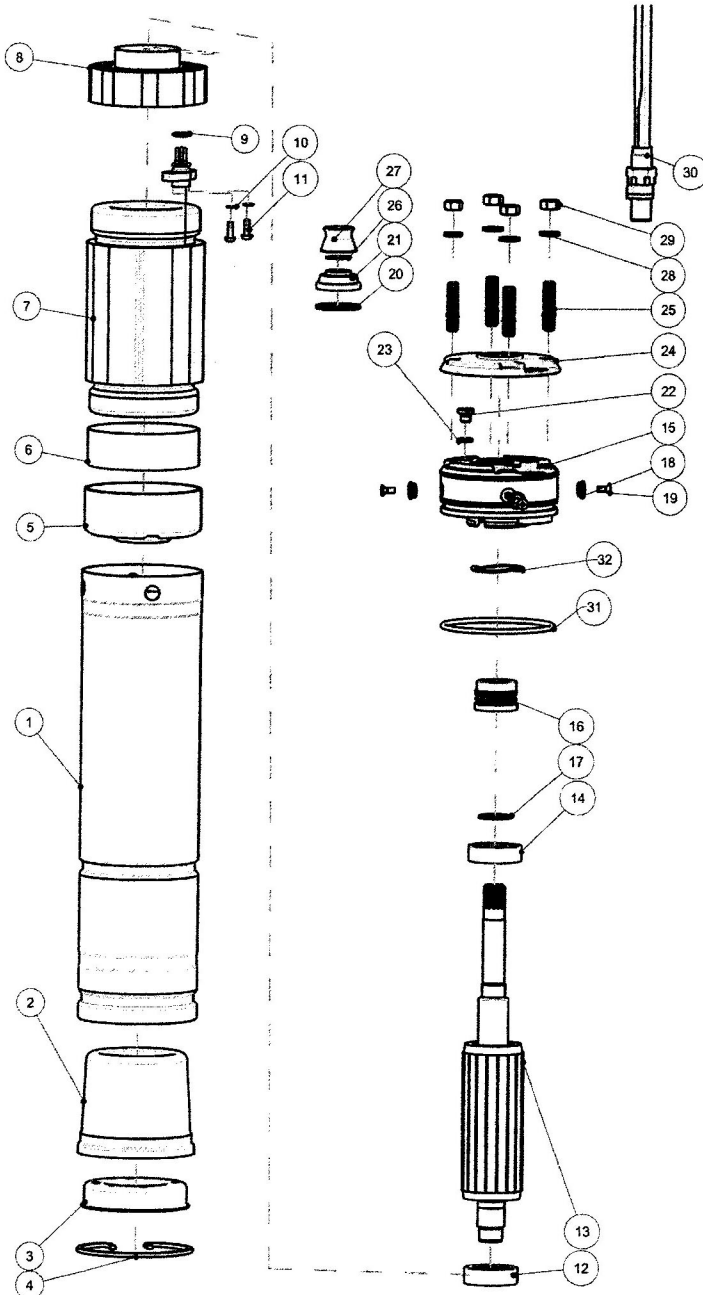


12. Push bottom end bracket and so the stator by means of an hydraulic press (Figure 13).



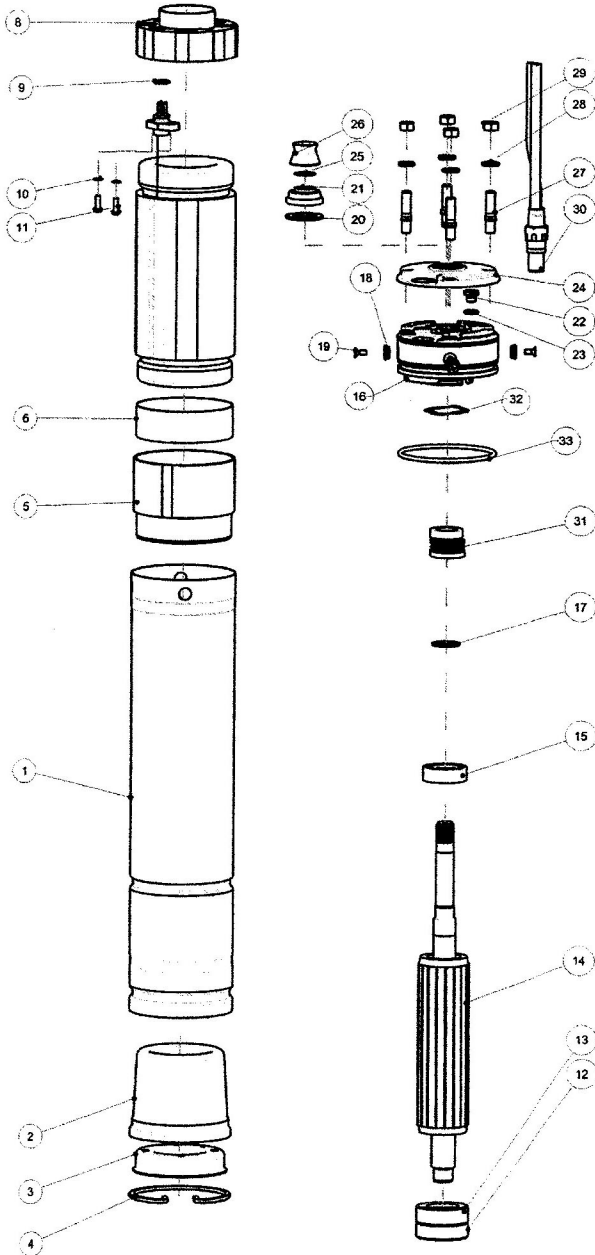
OIL MOTOR 2000N

POS.	CODE	DESCRIZIONE	DESCRIPTION	Q.tà
1	0490330	Camicia per motore 2000N	Motor 2000N sleeve	1
2	0490703	Soffietto di compensazione	Rubber diaphragm	1
3	0490303	Coperchietto inferiore	Bottom cover	1
4	0410304	Anello blocco soffietto	Diaphragm loking ring	1
5	0490506	Supporto inferiore motore 2000N	Lower bracket 2000N thrust	1
6	0490603	Cuffia isolante inferiore	Lower insulation cup	1
7	0792708	Statore motore OM	Stator	1
8	0490602	Cuffia isolante superiore	Upper insulation cup	1
9	0700839	O-ring 11.11x1.78	O-ring 11.11x1.78	1
10	0701610	Vite M4x12 UNI7687	Screw M4x12 UNI7687	2
11	0700817	Cuscinetto assiale 7203 B	Bearing 7203 B	1
12	0491501	Albero con rotore motore 2000N	Shaft wit rotor	1
13	0700816	Cuscinetto radiale 6203 C3	Bearing 6203 C3	1
14	0400110	Supporto superiore motore 2000N	Upper bracket (2000N)	1
15	0700838	O-ring 82.14x3.53	O-ring 82.14x3.53	1
16	0700604	Anello elastico di compensazione	Compensation elastic ring	1
17	0700815	Tenuta mecc. ST4/16 BPF + F1 29.5x16x8V2P	Mechanical seal	1
18	0490401	Rondella distanziale per tenuta meccanica	Mechanical seal washer	1
19	0490305	Insero blocco camicia	Sleeve blocking insert	4
20	0701604	Vite M4x8 UNI7688	Screw M4x8 UNI7688	4
21	0400801	Filtro anti-sabbia	Anti-sand filter	1
22	0490601	Parasabbia fisso	Fixed plastic sand guard	1
23	0490802	Tappo olio	Oil plug	1
24	0700837	O-ring 9x2	O-ring 9x2	1
25	0400301	Coperchio superiore	Upper bracket cover	1
26	0790807	Prigioniero	Thraded pin (bolts)	4
27	0790402	Anello parasabbia	Sand guard ring	1
28	0490701	Parasabbia rotante	Rotating rubber sand guard	1
29	0701615	Rondella grower	Grower washer	4
30	0701616	Dado	Nut	4
31	0701707	Connettore	Connector	1



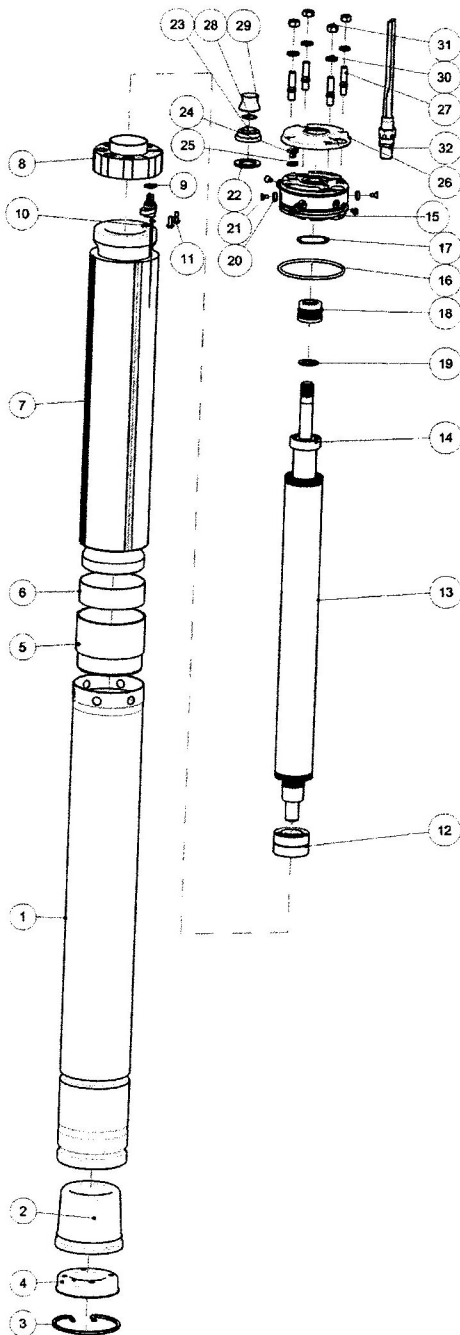
OIL MOTOR 3000N

POS.	CODE	DESCRIZIONE	DESCRIPTION	Q.tà
1	0490340	Camicia per motore 3000N	Motor 3000N sleeve	1
2	0490703	Soffietto di compensazione	Rubber diaphragm	1
3	0490303	Coperchietto inferiore	Bottom cover	1
4	0410304	Anello blocco soffietto	Diaphragm locking ring	1
5	0490505	Supporto inferiore motore 3000N	Lower bracket 3000N thrust	1
6	0490603	Cuffia isolante inferiore	Lower insulation cup	1
7	0792708	Statore motore OM	Stator	1
8	0490602	Cuffia isolante superiore	Upper insulation cup	1
9	0700839	O-ring 11.11x1.78	O-ring 11.11x1.78	1
10	0701610	Vite M4x12 UNI7687	Screw M4x12 UNI7687	2
11	0492201	Distanziale	Spacer	1
12	0700817	Cuscinetto assiale 7303 B46.8	Bearing B46.8	1
13	0490402	Rondella distanziale	Spacer washer	1
14	0491501	Albero con rotore motore 3000N	Shaft with rotor	1
15	0700816	Cuscinetto radiale 6203 C3	Bearing 6203 C3	1
16	0490401	Rondella distanziale per tenuta meccanica	Mechanical seal washer	1
17	0400110	Supporto superiore motore 3000N	Upper bracket (3000N)	1
18	0700838	O-ring 82.14x3.53	O-ring 82.14x3.53	1
19	0700815	Tenuta mecc. ST4/16 BPF + F1 29.5x16x8V2P	Mechanical seal	1
20	0700604	Anello elastico di compensazione	Compensation elastic ring	1
21	0490305	Inserito blocco camicia	Sleeve blocking insert	4
22	0701604	Vite M4x8 UNI7688	Screw M4x8 UNI7688	4
23	0400801	Filtro anti-sabbia	Anti-sand filter	1
24	0490601	Parasabbia fisso	Fixed plastic sand guard	1
25	0490802	Tappo olio	Oil plug	1
26	0700837	O-ring 9x2	O-ring 9x2	1
27	0400301	Coperchio superiore	Upper bracket cover	1
28	0790402	Anello parasabbia	Sand guard ring	1
29	0490701	Parasabbia rotante	Rotating rubber sand guard	1
30	0790807	Prigioniero	Threaded pin (bolts)	4
31	0701615	Rondella grower	Grower washer	4
32	0701616	Dado	Nut	4
33	0701707	Connettore	Connector	1



OIL MOTOR 5000N

POS.	CODICE	DESCRIZIONE	DESCRIPTION	Q.tà
1	0490350	Camicia per motore 5000N	Motor 5000N sleeve	1
2	0410304	Anello blocco soffietto	Diaphragm loking ring	1
3	0490303	Coperchietto inferiore	Bottom cover	1
4	0490703	Soffietto di compensazione	Rubber diaphragm	1
5	0490505	Supporto inferiore motore 5000N	Lower bracket 5000N thrust	1
6	0490603	Cuffia isolante inferiore	Lower insulation cup	1
7	0700817	Cuscinetto assiale 7303 BDT46.8	Bearing BDT46.8	2
8	0491470	Albero con rotore motore 5000N	Shaft with rotor	1
9	0700816	Cuscinetto radiale 6203 C3	Bearing 6203 C3	1
10	0400111	Supporto superiore motore 5000N	Upper bracket (5000N)	1
11	0792707	Statore motore OM	Stator	1
12	0700839	O-ring 11.11x1.78	O-ring 11.11x1.78	1
13	0490602	Cuffia isolante superiore	Upper insulation cup	1
14	0701610	Vite M4x12 UNI7687	Screw M4x12 UNI7687	2
15	0700815	Tenuta mecc. ST4/16 BPF + F1 29.5x16x8V2P	Mechanical seal	1
16	0490401	Rondella distanziale per tenuta meccanica	Mechanical seal washer	1
17	0490802	Tappo olio	Oil plug	1
18	0700837	O-ring 9x2	O-ring 9x2	1
19	0400801	Filtro anti-sabbia	Anti-sand filter	1
20	0490601	Parasabbia fisso	Fixed plastic sand guard	1
21	0400301	Coperchio superiore	Upper bracket cover	1
22	0490305	Inserito blocco camicia	Sleeve blocking insert	6
23	0790807	Prigioniero	Thraded pin (bolts)	4
24	0790402	Anello parasabbia	Sand guard ring	1
25	0490701	Parasabbia rotante	Rotating rubber sand guard	1
26	0700604	Anello elastico di compensazione	Compensation elastic ring	1
27	0701604	Vite M4x8 UNI7688	Screw M4x8 UNI7688	6
28	0700838	O-ring 82.14x3.53	O-ring 82.14x3.53	1
29	0701615	Rondella grower	Grower washer	4
30	0701616	Dado	Nut	4
31	0701707	Connettore	Connector	1





GSO FOUNTAIN COMPANY

www.gsofountain.com - info@gsofountain.com