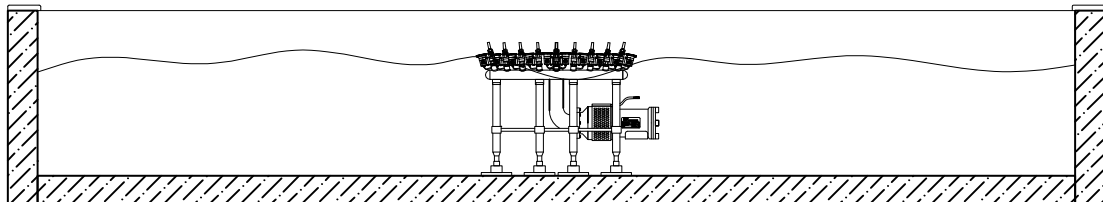
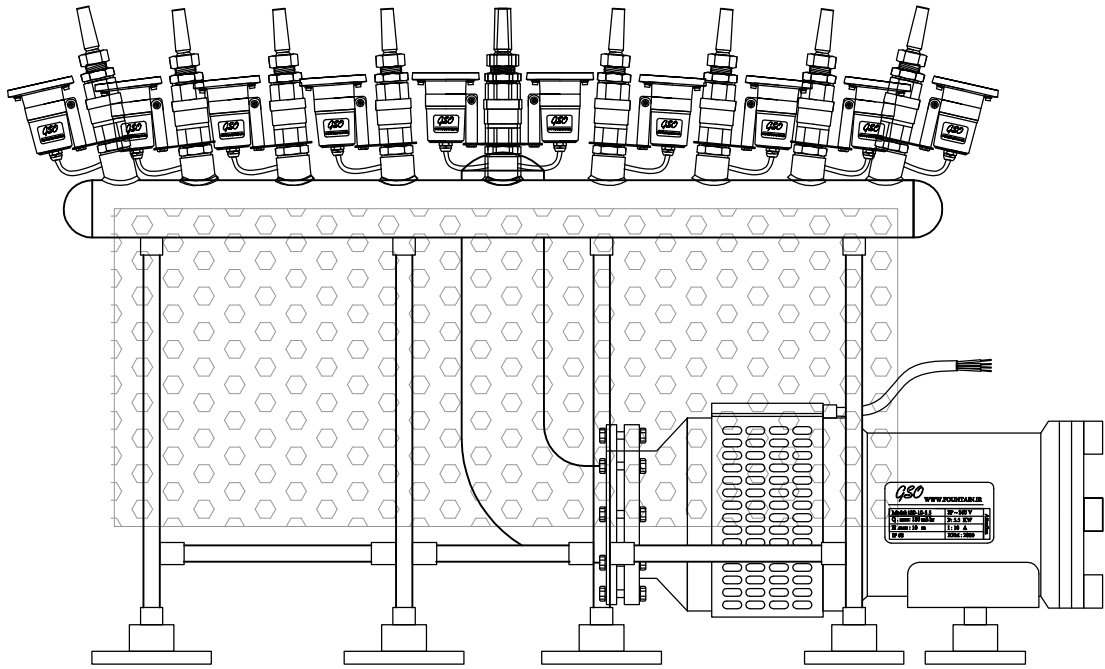


# Flower Fountain-M100



TITLE:

*Flower Fountain-M500*

DWG. NO.

**Flower Fountain-M100-S**

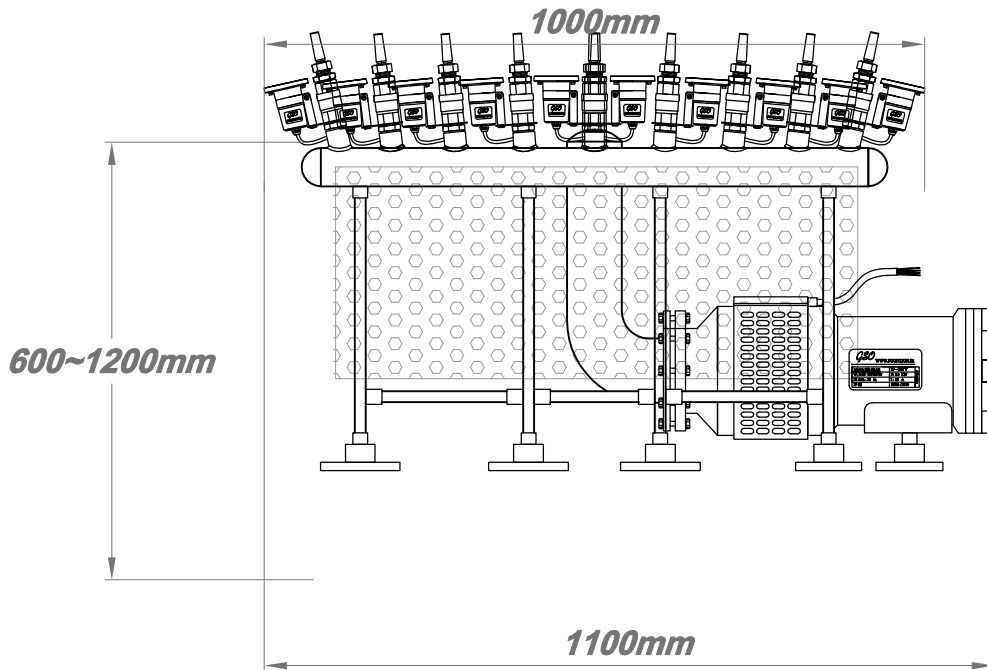
[www.gsofountain.com](http://www.gsofountain.com)  
[Info@gsofountain.com](mailto:Info@gsofountain.com)

SHEET 1 OF 2

**GSO**  
Water Smile

**Flower Fountain-M100**

Part No	Description	Pcs
1	Nozzle comet 12-10T	21
2	Nozzle comet25-14T	1
3	Litingh(Led 3w)	24
4	Ring.pipe2"-D90cm	3m
5	Ring.pipe 2"50 cm	2m
6	pump100-10-4	1



UNLESS OTHERWISE SPECIFIED:  
DIMENSIONS ARE IN MILLIMETERS;  
SURFACE FINISH:  
TOLERANCES:  
LINEAR:  
ANGULAR:

SCALE DRAWING:1:1

SHEET 2 OF 2

TITLE:

**Flower Fountain-M100**



FINISH: DEBUR AND  
BREAK SHARP  
EDGES

DEBUR AND  
BREAK SHARP  
EDGES

	NAME	SIGNATURE	DATE
DRAWN	H.T		2018-07-24
CHK'D	M.M		
APPV'D	A.S		
MFG	M.M		
Q.A			

WEIGHT: 100kg

MATERIAL:  
Stainless steel 304

DWG NO.

Dimensions

REVISION: (A) -2018-07-24 20:05:21

A4

www.gsofountain.com  
Info@gsofountain.com