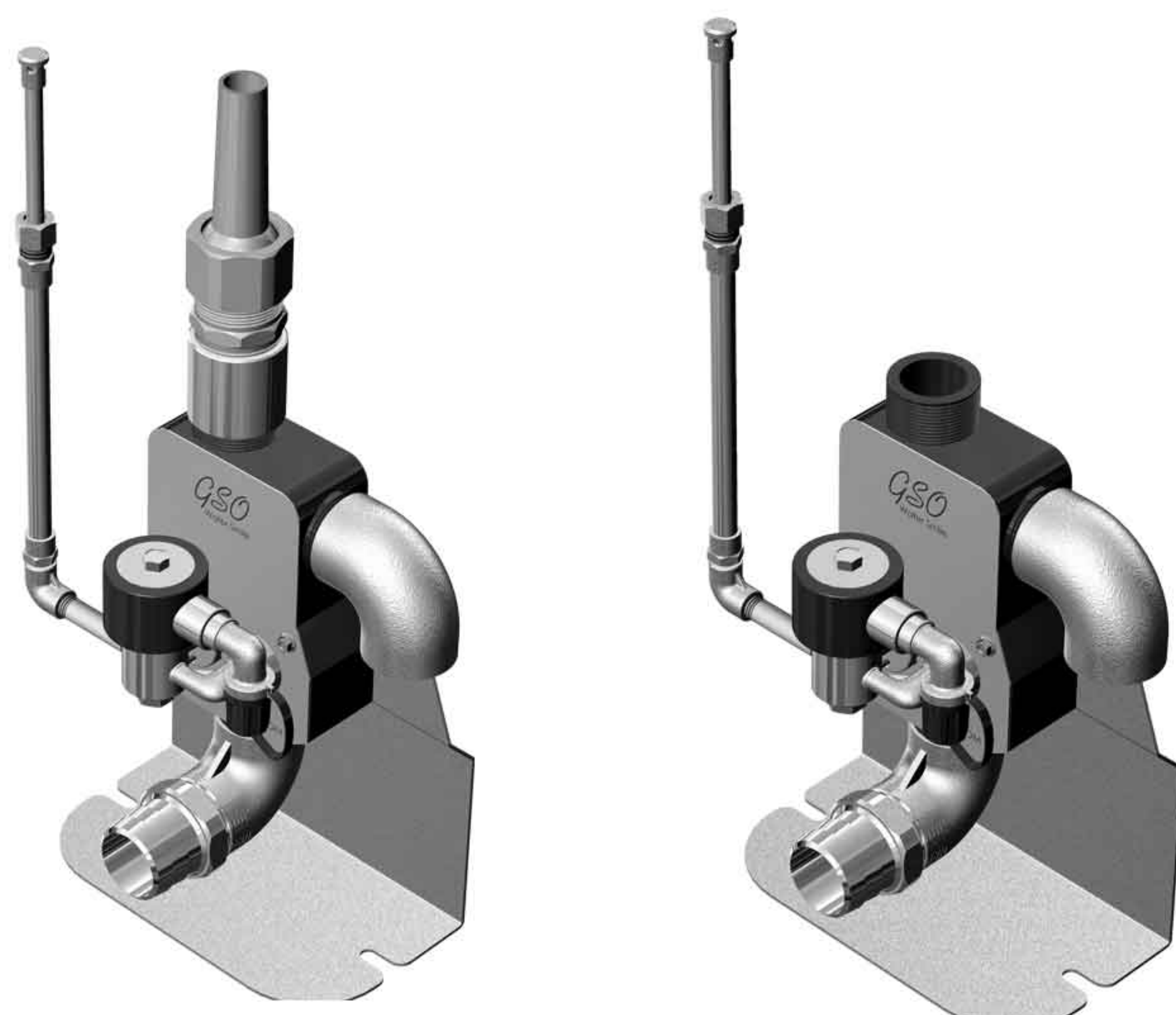




Water Switch



1. Technical Data Water Switch

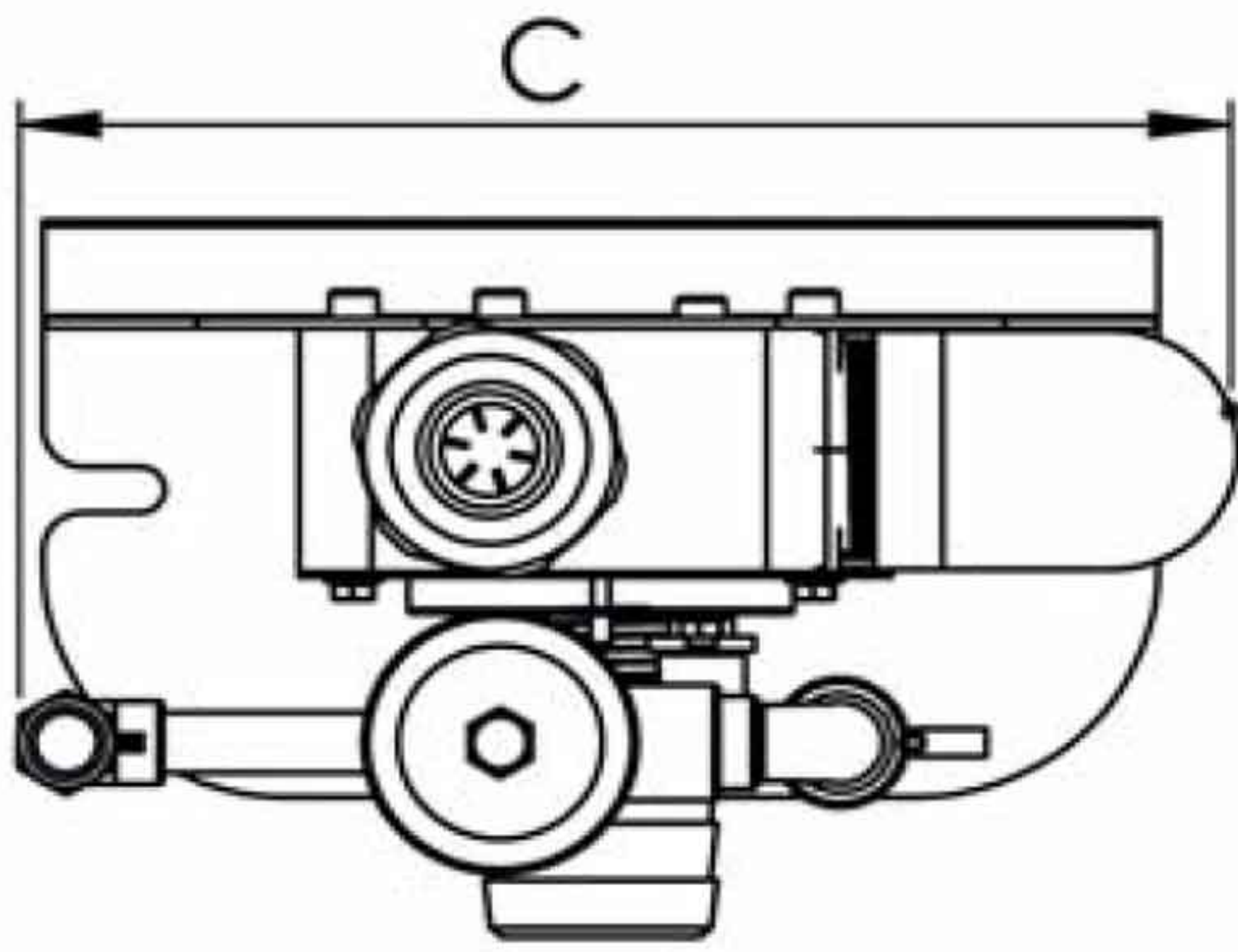


Figure 1-1

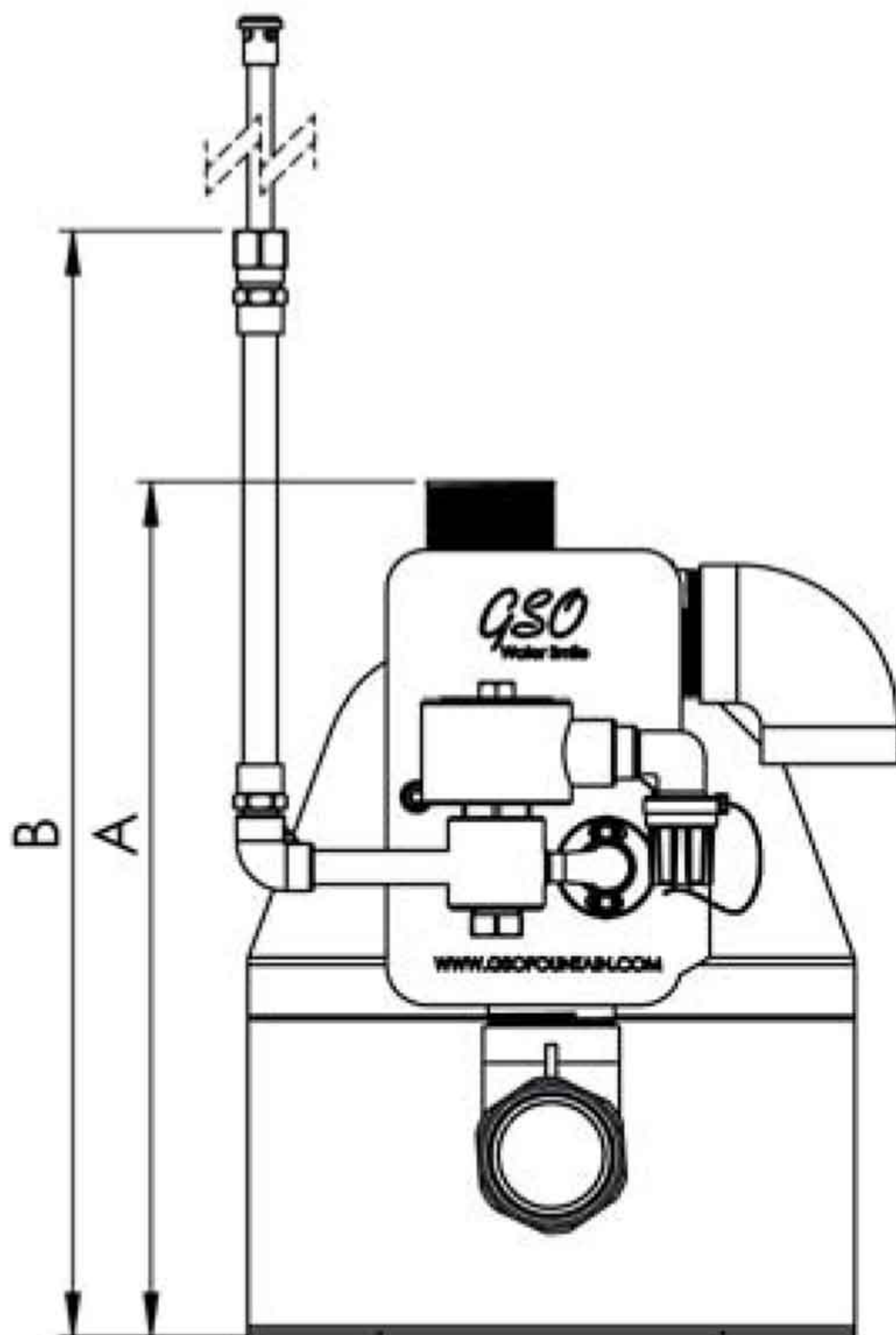


Figure 1-3

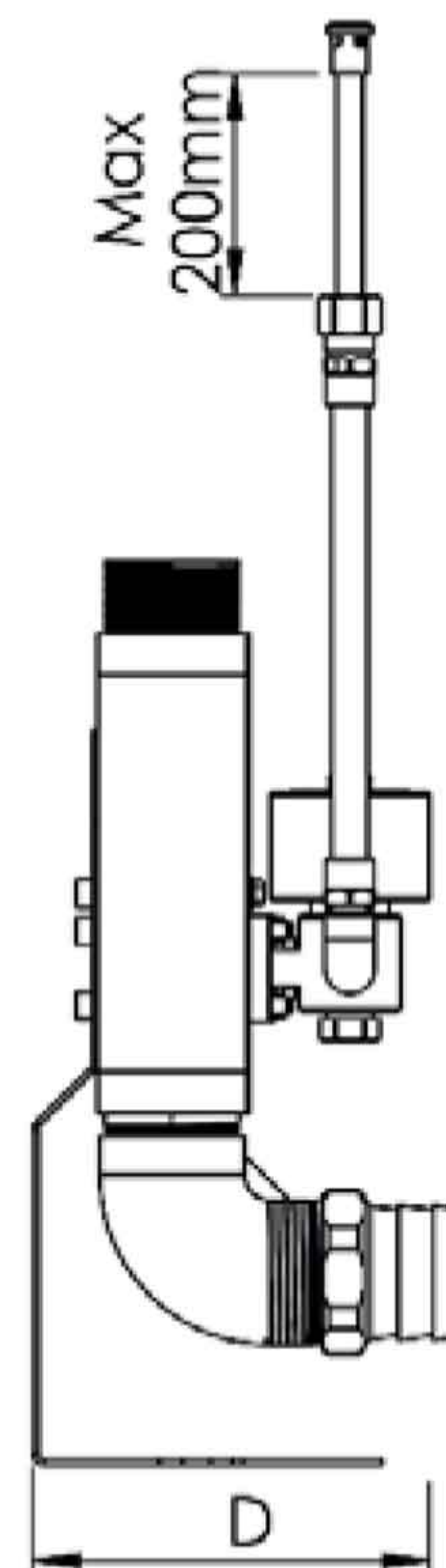


Figure 1-2

Technical Data			
Water Switches		DN25	DN40
Dimensions (mm)	A	300	320
	B	370	420
	C	200	250
	D	120	140
	E	200	
Power (w)		14	14
Voltage (v)		24	24
Nozzle connection size		1"	1 1/2"
Water connection size		1"	1 1/2"
Type		IP68	
Material		S.S - ABS	
Weight (kg)		4.50	7.00

Figure 1-4

CONTACT US

Tel/Fax: +9821 6691 0472
Mob: +9891 2924 2670
+9891 2924 2671
+9891 2924 2672

www.gsofountain.com
info@gsofountain.com