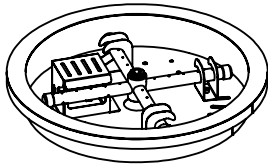


## **ROUND SMART FIRE BOWLS (FB.G-RO.SM)** OPERATING INSTRUCTIONS

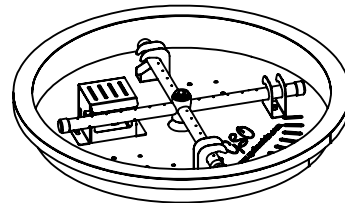
### **Contents**

1. All models
2. Technical details
3. Equipment diagram
4. Install steps
5. Maintenance / Cleaning
6. Part number

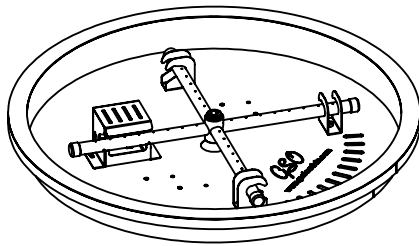
## 1- All models of round smart fire bowls



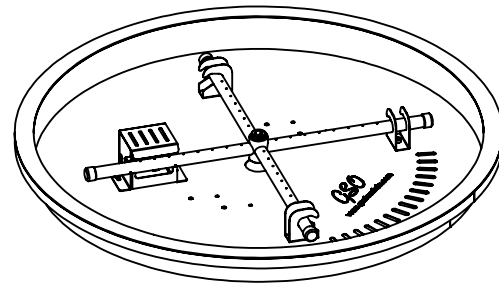
FB.G-RO30.SM



FB.G-RO40.SM

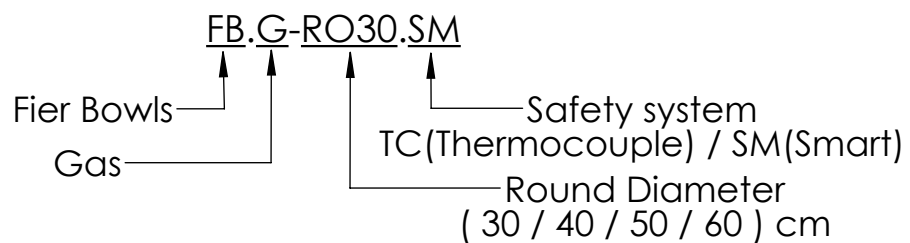


FB.G-RO50.SM

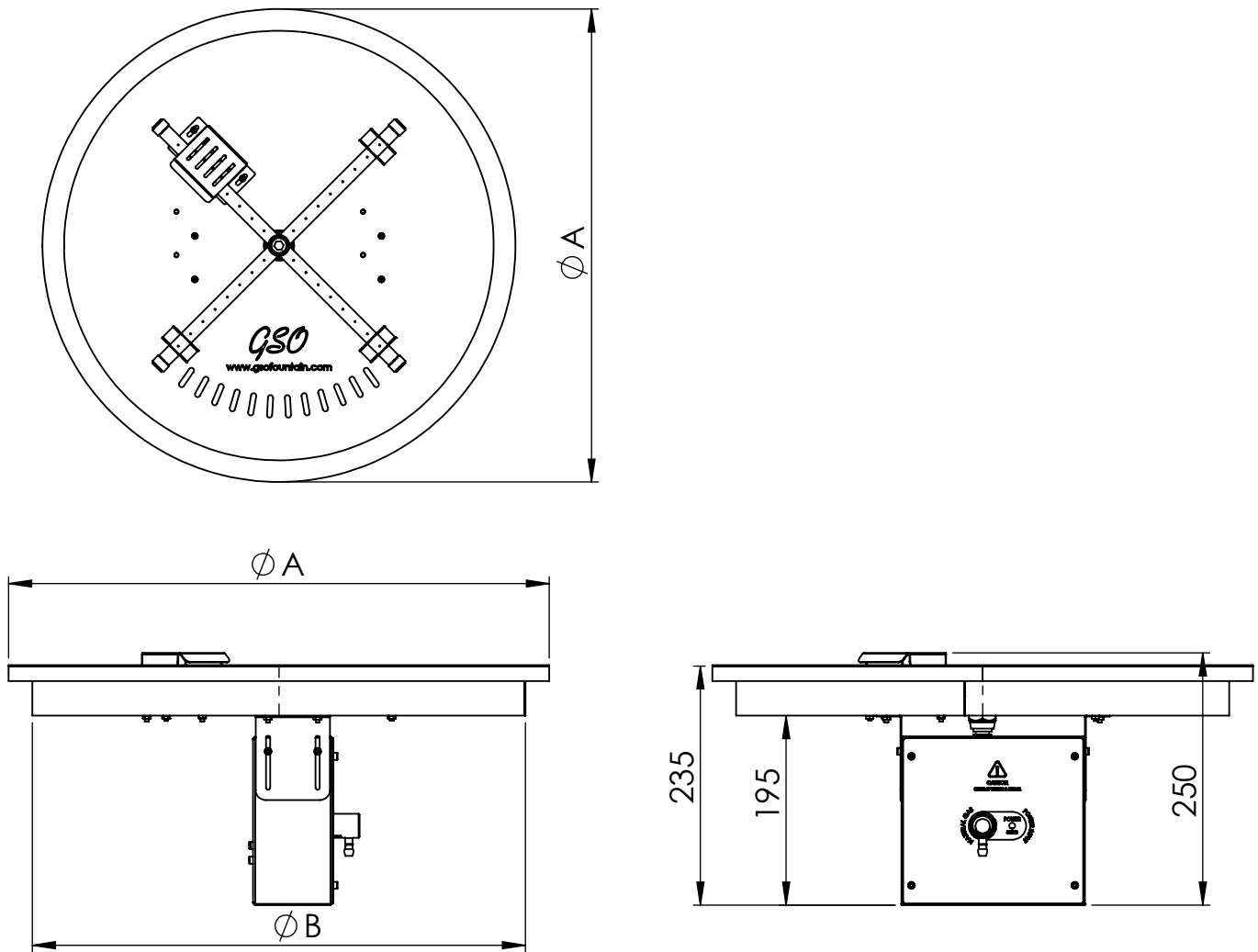


FB.G-RO60.SM

## 1-2 Identification Codes



## 2- Technical details



ROUND SMART FIRE BOWLS					
TYPE		FB.G			
		RO30	RO40	RO50	RO60
Max thermal capacity (kcal/hr)		20,000	20,000	20,000	20,000
Dimensions (mm)	A	350	450	550	650
	B	297	397	497	597
Connection size (inch)		1/2"			
Natural gas consumption (m <sup>3</sup> /hr)		2.5	2.5	2.5	2.5
Natural gas pressure (mbar)		20			
Safety control system		Smart Control			
Power		220V			
Material		Stainless steel.304			
Weight (kg)					
Order code		FB.G-RO30.SM	FB.G-RO40.SM	FB.G-RO50.SM	FB.G-RO60.SM



GSO FOUNTAIN COMPANY  
[www.gsofountain.com](http://www.gsofountain.com)