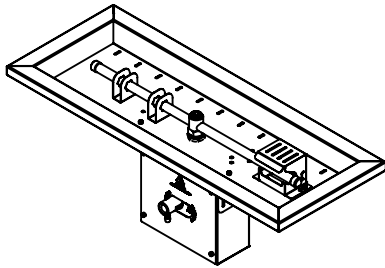
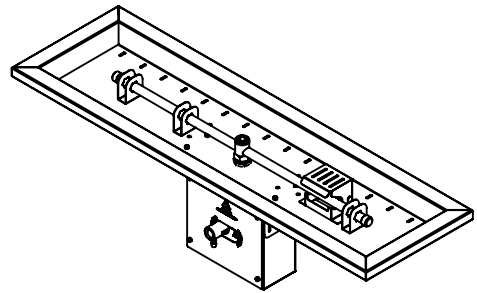


RECTANGLE SMART FIRE BOWLS (FB.G-RE.SM)
OPERATING INSTRUCTIONS

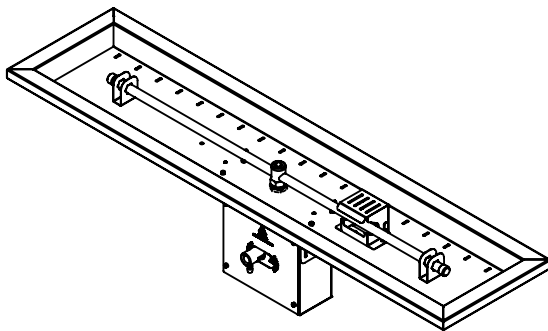
1- All models of rectangle fire bowls



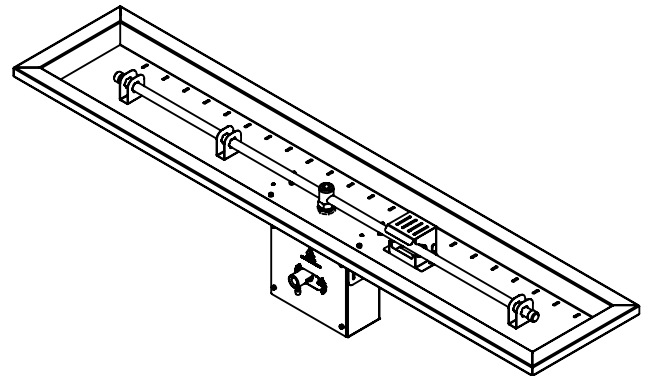
FB.G-RE60.SM



FB.G-RE80.SM

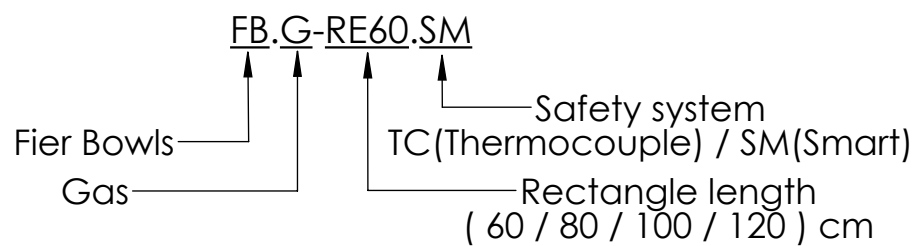


FB.G-RE100.SM

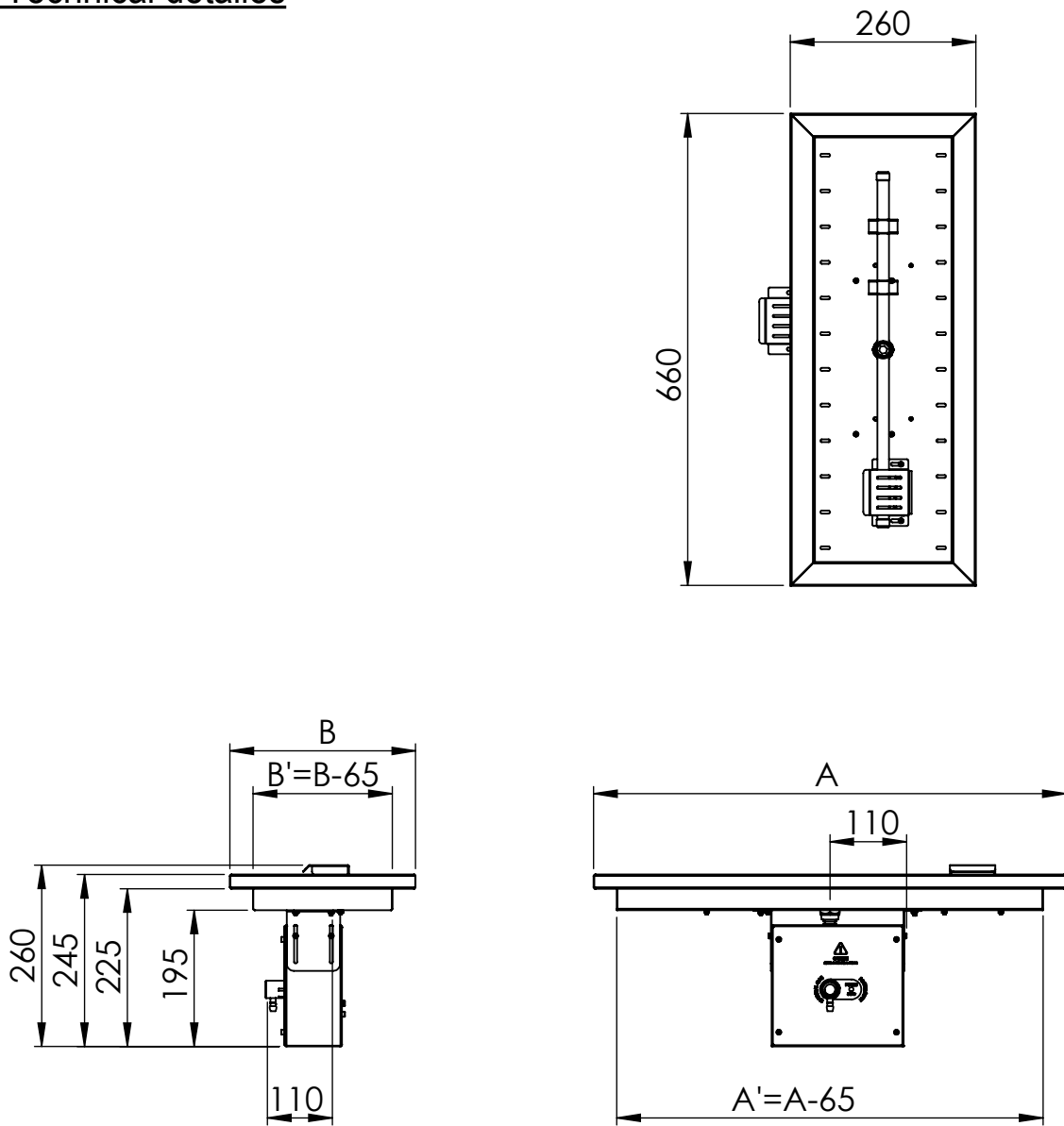


FB.G-RE120.SM

1-2 Identification Codes



2- Technical details



RECTANGLE SMART FIRE BOWLS					
TYPE		FB.SM			
		RE60	RE80	RE100	RE120
Max thermal capacity (kcal/hr)		20,000	20,000	20,000	20,000
Dimensions (mm)	A	660	860	1060	1260
	B	260	260	260	260
Connection size (inch)		1/2"			
Natural gas consumption (m ³ /hr)		2.5	2.5	2.5	2.5
Natural gas pressure (mbar)		20			
Safety control system		Smart Control			
Power		220V			
Material		Stainless steel.304			
Weight (kg)		5.0	6.0	7.0	8.0
Order code		FB.G-RE60.SM	FB.G-RE80.SM	FB.G-RE100.SM	FB.G-RE120.SM



GSO FOUNTAIN COMPANY
www.gsofountain.com