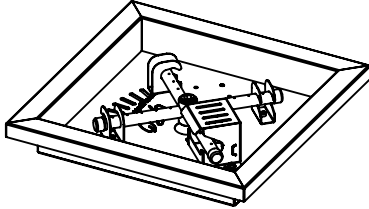
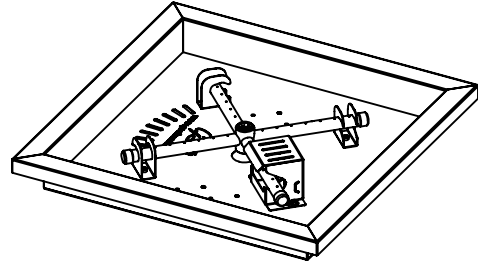


**SQUARE SMART FIRE BOWLS (FB.G-SQ.SM)**  
**OPERATING INSTRUCTIONS**

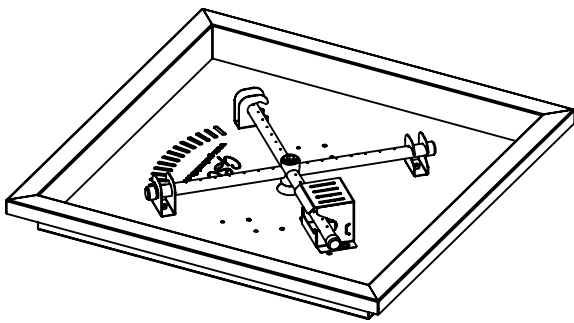
## 1- All models of square smart fire bowls



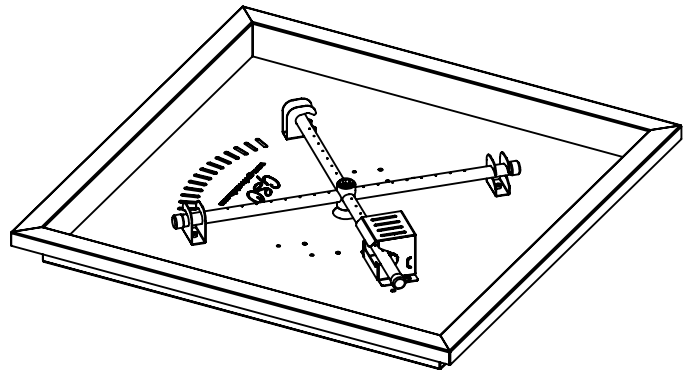
FB.G-SQ30.SM



FB.G-SQ40.SM

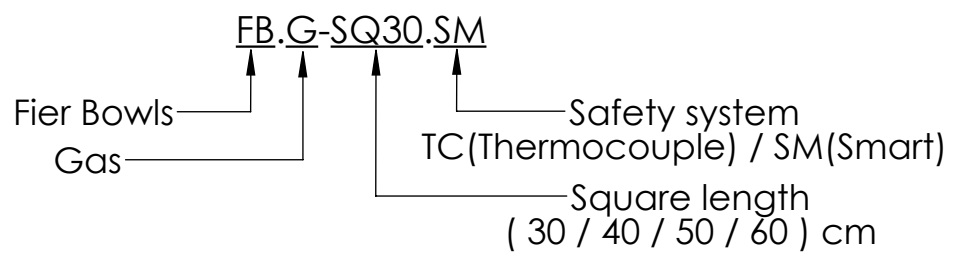


FB.G-SQ50.SM

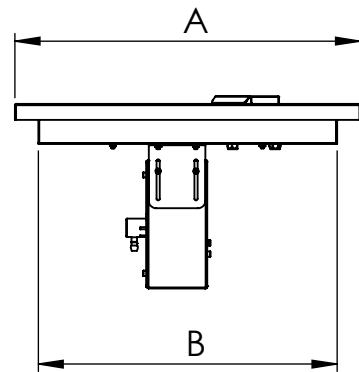
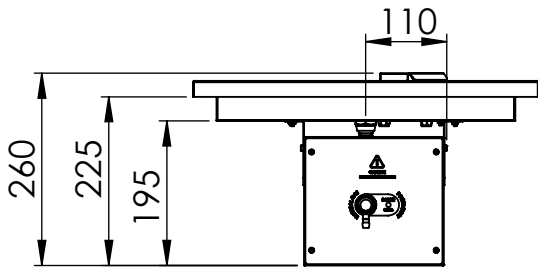
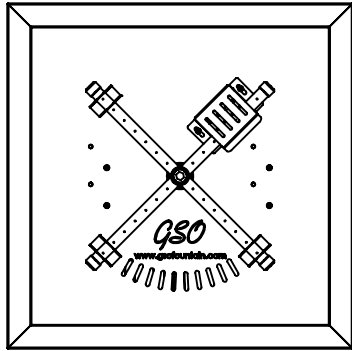


FB.G-SQ60.SM

### 1-2 Identification Codes



## 2- Technical details



SQUARE SMART FIRE BOWLS					
TYPE		FB.G			
		SQ30	SQ40	SQ50	SQ60
Max thermal capacity (kcal/hr)		20,000	20,000	20,000	20,000
Dimensions (mm)	A	360	460	560	660
	B	300	400	500	600
Connection size (inch)		1/2"			
Natural gas consumption (m <sup>3</sup> /hr)		2.5	2.5	2.5	2.5
Natural gas pressure (mbar)		20			
Safety control system		Smart Control			
Power(Watt-Volt)		3W-220V			
Material		Stainless steel.304			
Weight (kg)		4.0	4.2	4.5	5.0
Order code		FB.G-SQ30.SM	FB.G-SQ40.SM	FB.G-SQ50.SM	FB.G-SQ60.SM



GSO FOUNTAIN COMPANY  
[www.gsofountain.com](http://www.gsofountain.com)