

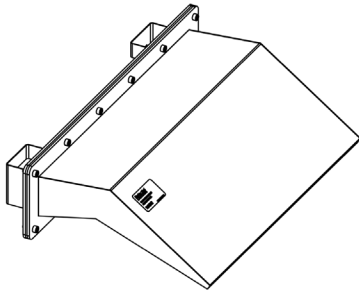
WALL WATER CURTAIN NOZZLE (N.WWC-B)

Operating instruction

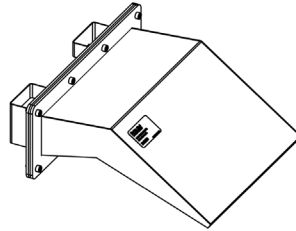
Contents

1. All models
2. Explode nozzle
3. Technical details

1. All models of PWC-SB nozzle

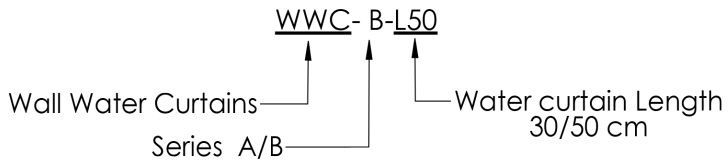


WWC-B-L50

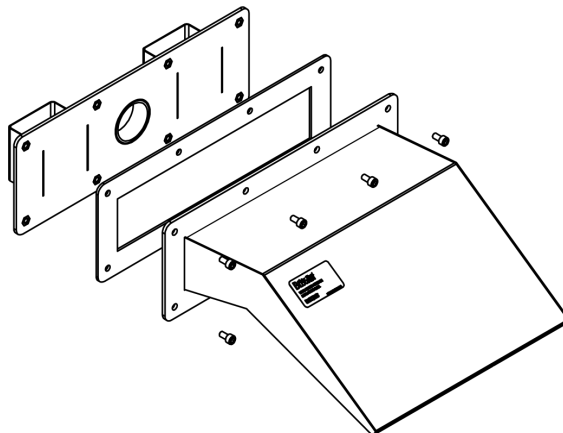


WWC-B-L30

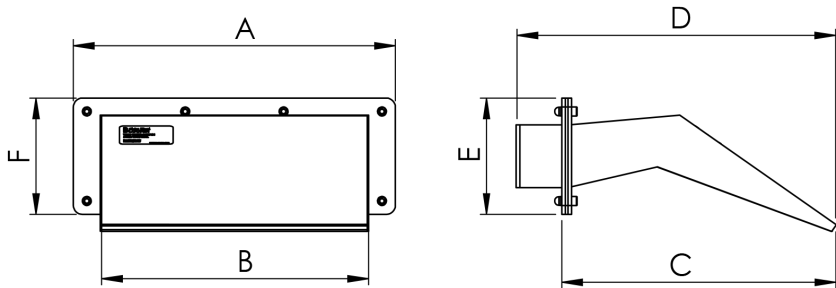
1-2 Identification Codes



2. Explode nozzle



3. Technical details



TECHNICAL DETAIL: (Wall Water Curtain Nozzle)			
TYPE		N.WWC-B	
		L30	L50
Water curtain length (mm)		300	500
Dimensions (mm)	A	360	560
	B	300	500
	C	310	
	D	360	
	E	130	
	F	150	
Water Thickness(mm)		5	5
Connection size (inch)		1 1/2"	2"
Flow (m ³ /hr)		6 ~ 12	10 ~ 20
Pressure Drop (bar)		0.2	0.2
Material		Stainless Steel 304 / 316	
Weight (kg)		5	8
Order code		N.WWC-B-L30	N.WWC-B-L50



GSO FOUNTAIN COMPANY

www.gsofountain.com - info@gsofountain.com