

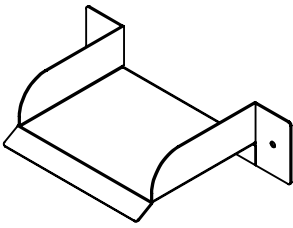
## **WATER WAY NOZZLE (N.WW)**

Operating instructions

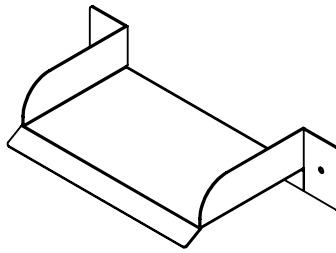
### **Contents**

1. All models
2. Technical details
3. Equipment diagram
4. Install steps
5. Maintenance / Cleaning
6. Part number

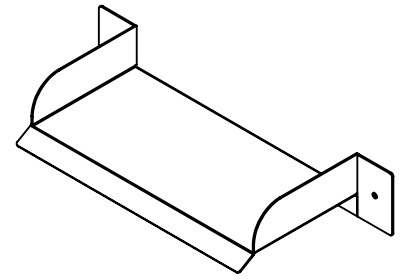
1- All models of N.WW



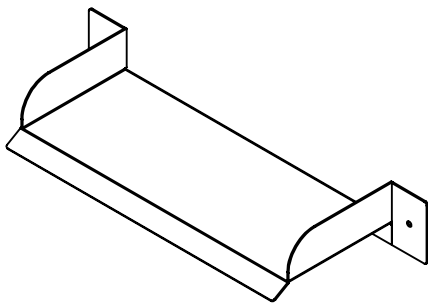
**W15.L10~150**



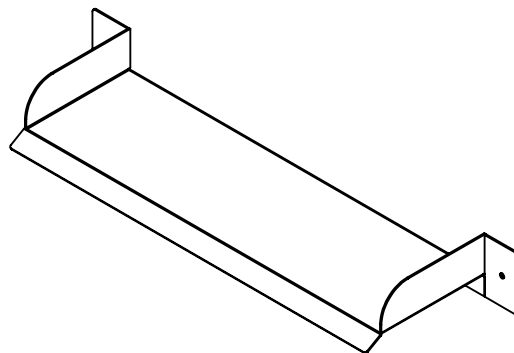
**W20.L10~150**



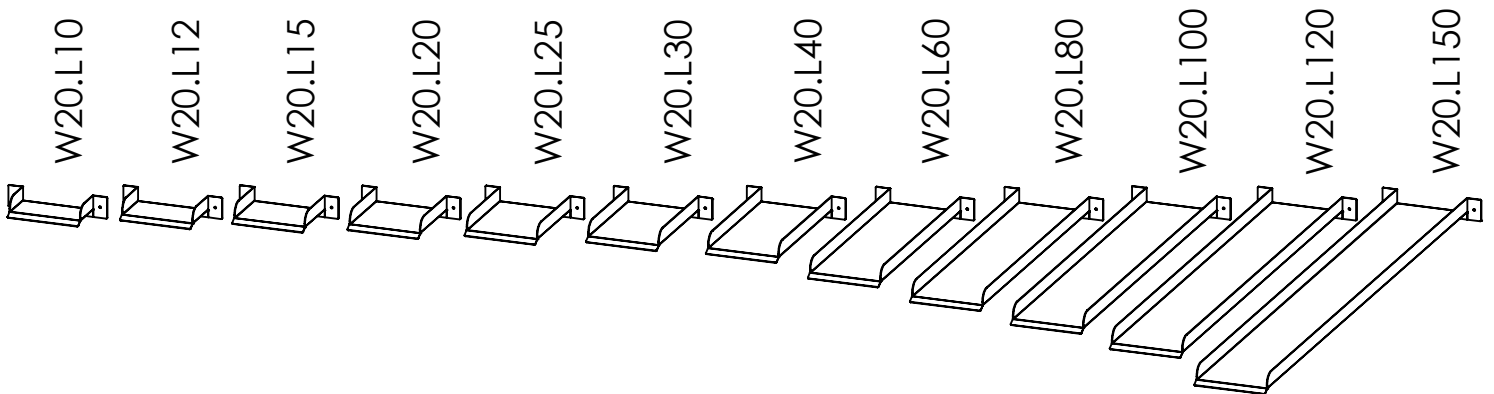
**W25.L10~150**



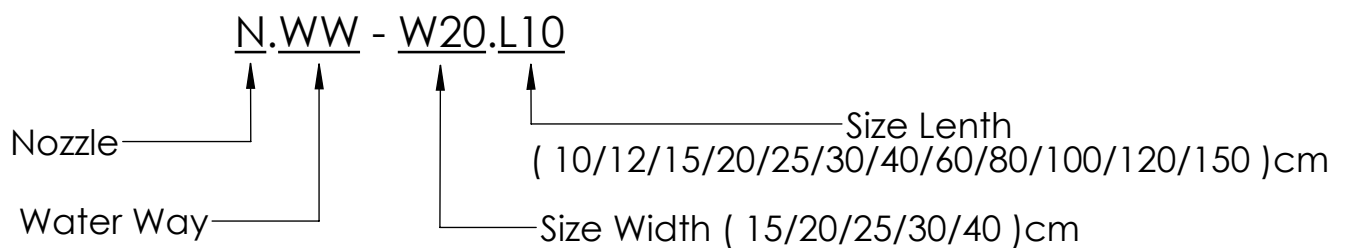
**W30.L10~150**



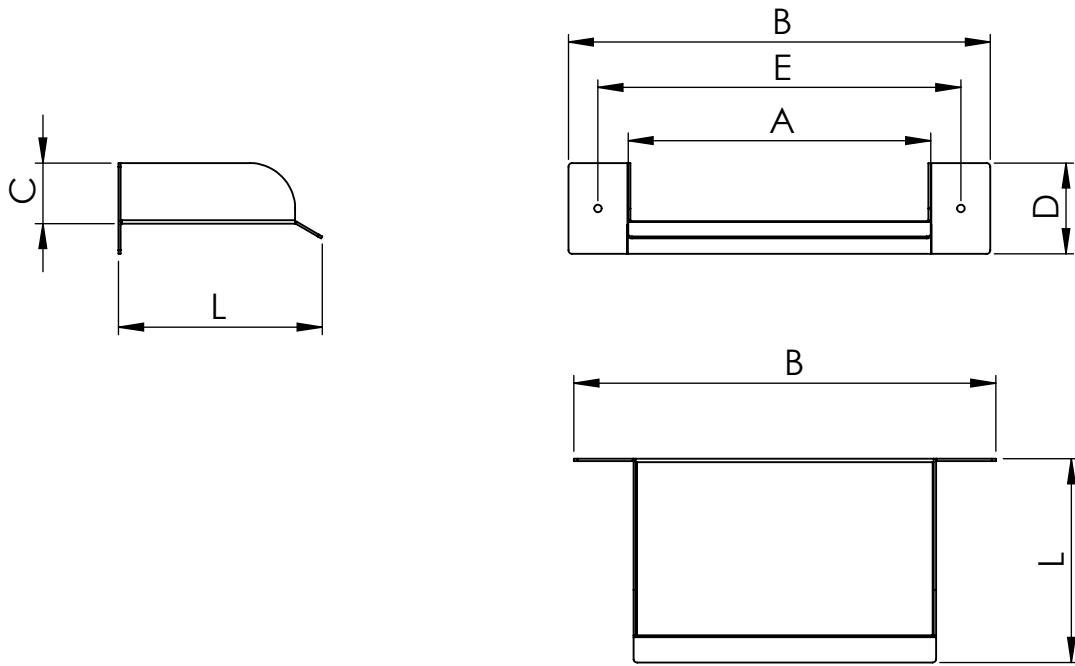
**W40.L10~150**



**1-2 Identification Codes**



## 2- Technical details



| Water Way Nozzle    |      |                         |      |      |      |      |
|---------------------|------|-------------------------|------|------|------|------|
| TYPE                |      | N.WW                    |      |      |      |      |
|                     |      | W15                     | W20  | W25  | W30  | W40  |
| Dimensions (mm)     | A    | 150                     | 200  | 250  | 300  | 400  |
|                     | B    | 230                     | 280  | 330  | 380  | 480  |
|                     | C    | 40                      | 40   | 40   | 40   | 40   |
|                     | D    | 60                      | 60   | 60   | 60   | 60   |
|                     | E    | 190                     | 240  | 290  | 340  | 440  |
| Water Way Lenth(mm) | L10  | 115                     | 115  | 115  | 115  | 115  |
|                     | L12  | 135                     | 135  | 135  | 135  | 135  |
|                     | L15  | 165                     | 165  | 165  | 165  | 165  |
|                     | L20  | 215                     | 215  | 215  | 215  | 215  |
|                     | L25  | 265                     | 265  | 265  | 265  | 265  |
|                     | L30  | 315                     | 315  | 315  | 315  | 315  |
|                     | L40  | 415                     | 415  | 415  | 415  | 415  |
|                     | L60  | 615                     | 615  | 615  | 615  | 615  |
|                     | L80  | 815                     | 815  | 815  | 815  | 815  |
|                     | L100 | 1015                    | 1015 | 1015 | 1015 | 1015 |
|                     | L120 | 1215                    | 1215 | 1215 | 1215 | 1215 |
| L150                | 1515 | 1515                    | 1515 | 1515 | 1515 |      |
| Flow (m3/hr)        |      | 1.0                     | 1.25 | 1.75 | 2.0  | 2.5  |
| Material            |      | Stainless Steel 304/316 |      |      |      |      |



GSO FOUNTAIN COMPANY  
[www.gsofountain.com](http://www.gsofountain.com)