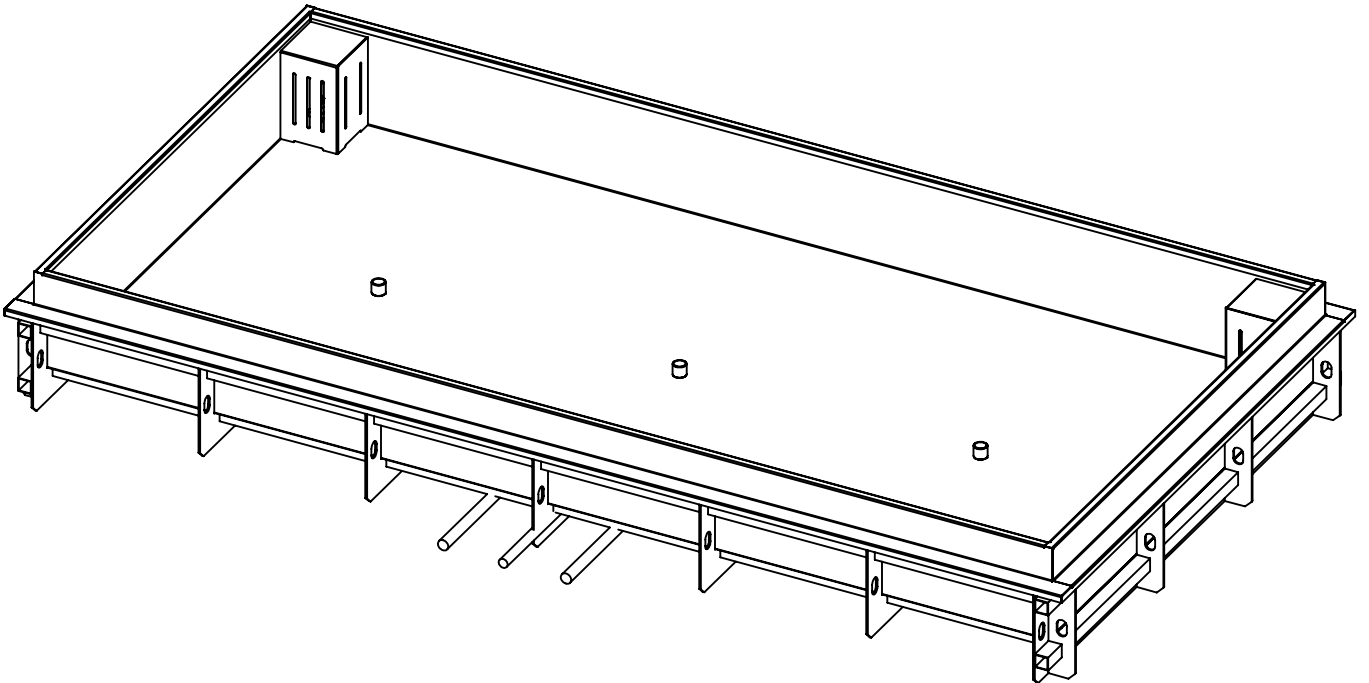


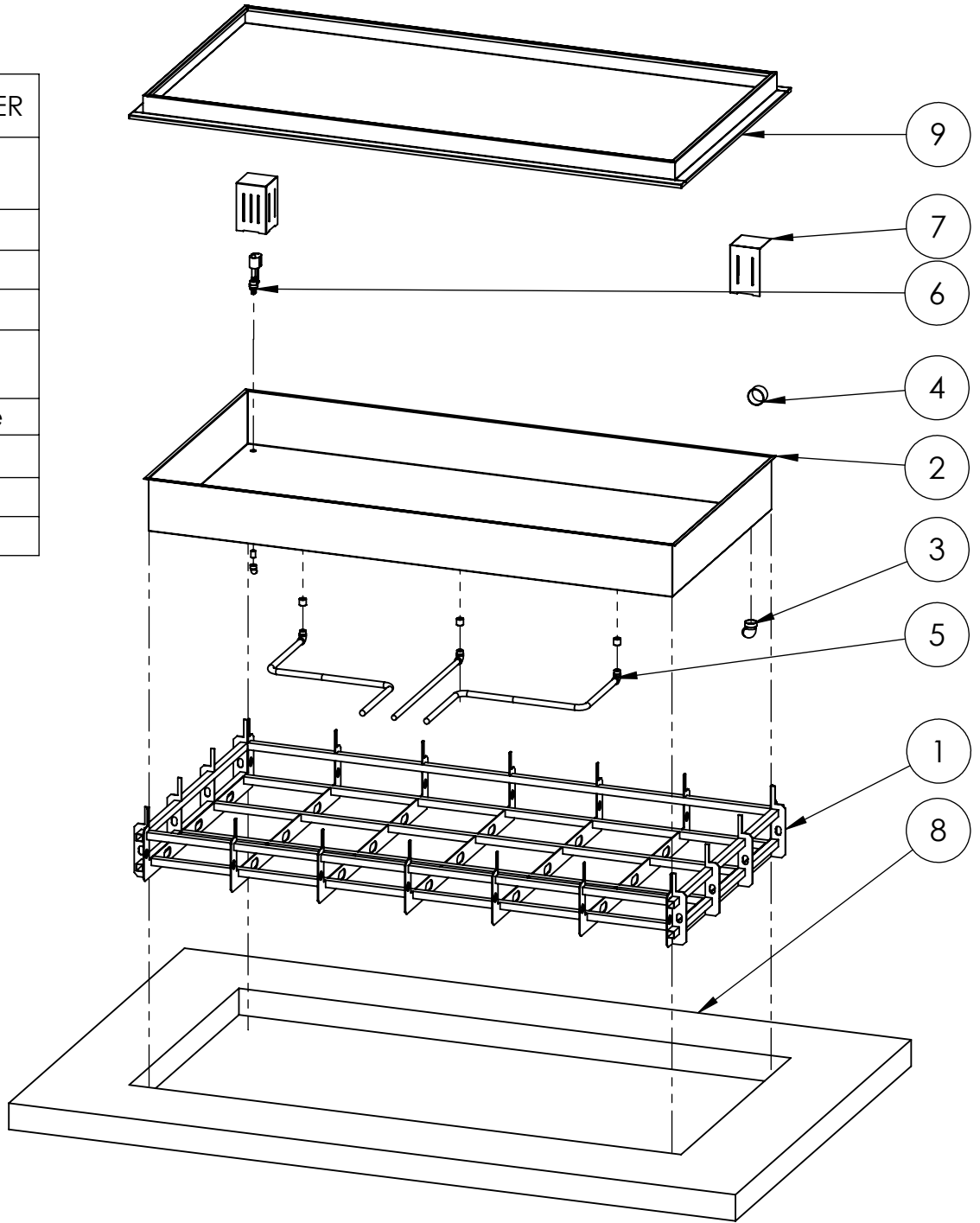
GSO
Water smile



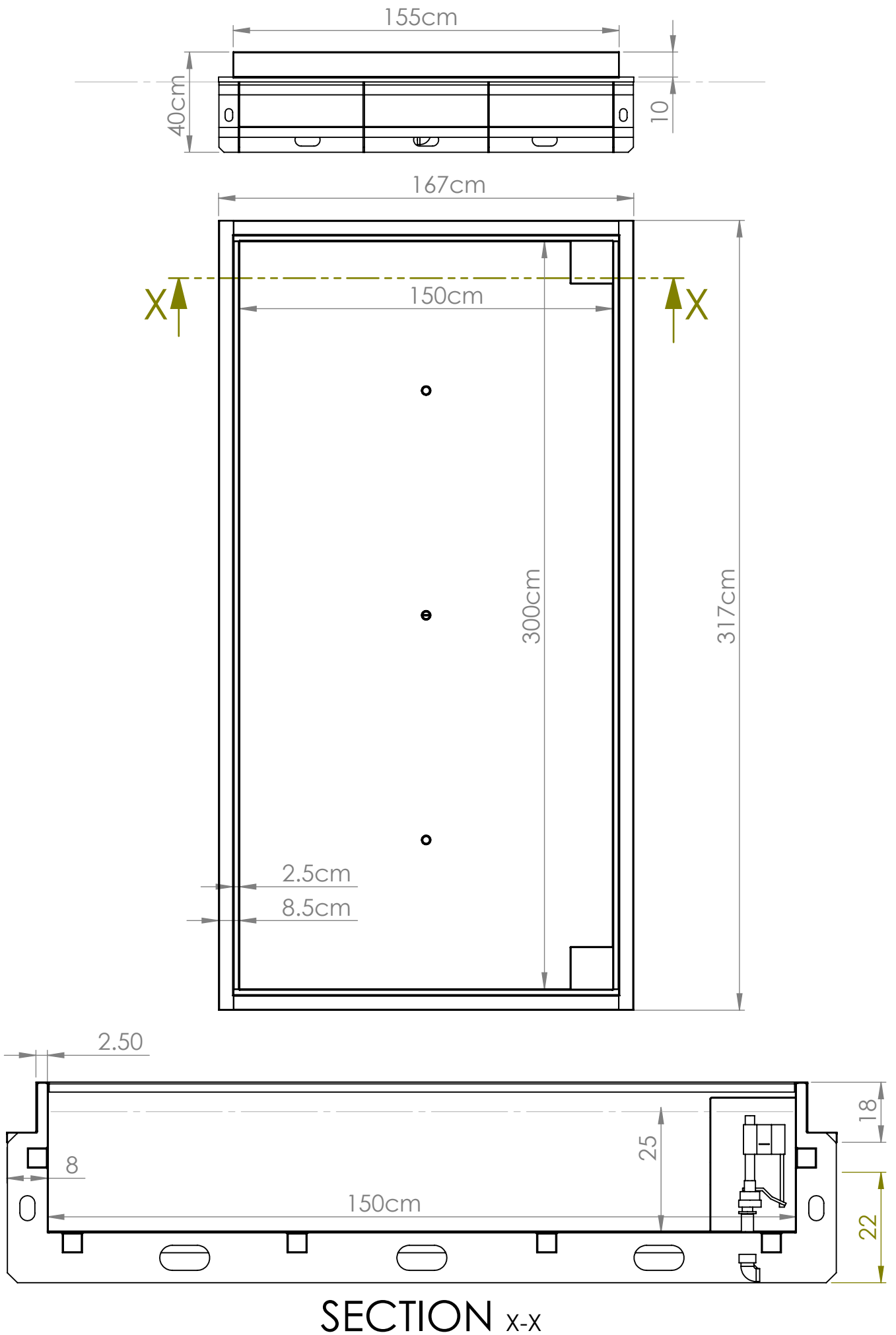
FOUNTAIN STEEL POOLS

A.FP.S-R

ITEM NO.	PART NUMBER
1	Support structure
2	Watertank
3	Drain water
4	Over flow
5	Fountain Nozzle
6	Floater Valve
7	Hole Cover
8	Concrete
9	Final Cover



2- Technical details



SECTION X-X



GSO FOUNTAIN COMPANY
www.gsofountain.com